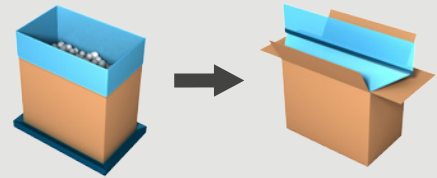


BAG DECUFFER SEALER HIGH END DS-21-HE

The DS-21-HE automatically decuffs, stretches and heat seals the bag. With its typical features such as hermetic heat sealing, vacuumizing, gas flushing, cleanability and crate handling, the bag sealer meets the needs of the high demanding industries. The DS-21-HE standard runs one case footprint with **variable heights**. Upgradeable to multi case footprint.



COMBINE WITH
**THE CASE
CLOSER**

Protect your product

- **Shelf life extension** thanks to hermetic heat sealing, vacuum packing and gas flushing.
- **Two double sided impulse heat seals.**
- Minimal moving parts above the filled case.

Easy to use, easy to clean

- **Elimination of operator mistakes** thanks to the fully automatic format change.
- Random case height modus.
- **Tool-free changeover of vacuum probe** for cleaning.
- Special cleaning mode to **hose down conveyors.**

TECHNICAL SPECIFICATIONS DS-21-HE

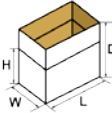
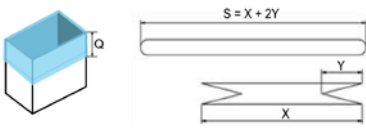
A perfect hermetic seal

- Vacuum decuffer hooks for full and optimised decuffing.
- Stepper motor driven stretcher plates with integrated decuffer control and electronic tension regulation for constant film stretching, independent from film diameter variations.
- Two double sided impulse heat seals with upper and lower clamping device to keep film stress free during sealing.

Vacuumize and gas flush installation

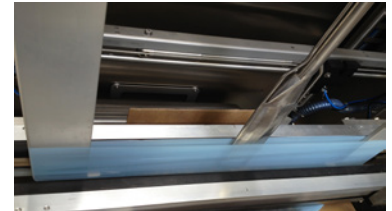
- Tool-free exchangeable vacuum probe to:
 - Excess air removal
 - Vacuumize until a set under pressure is reached
 - Vacuumize and gas flush for shelf life extension

Equipped with colour touch panel for easy operation

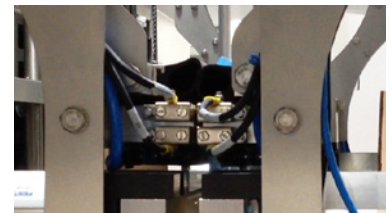
CONTAINER SPECIFICATIONS (For other dimensions, please contact Pattyn)	
Type	Cases, boxes, trays, crates
Range (L x W x H // D) mm	Standard mono footprint (LxW) /variable heights
	Min. 280 (L) x 240 (W) x 190 (H) Max. 600 (L) x 400 (W) // 650 (D) Outside dimensions
If S > 900 mm or when running crates or trays: optional gusset sealing is necessary.	
FILM SPECIFICATIONS	
Type	PE based
Thickness	15 µm - 70 µm
	X = L + 15 Y = (W + 45) / 2 S = max 900 mm L + W + 40 ≤ S ≤ L + W + 90 140 ≤ Q ≤ 180 mm
OUTPUT AND CONSUMPTION	
Output without vacuum and gas flush installation	Up to 10 c/min Up to 8 c/min for SL
Installed power	7,5 kW
Voltage	3 x 400 V + N + E / 50 Hz
Air supply	6 bar / 1" min
Air consumption	90 NL / cycle
Weight	1250 kg
OPTIONS (More options are available, please contact Pattyn)	
Vacuum installation	Vacuum & gas flush installation
Multi-footprint / variable case heights	
Hose down execution	
Gusset sealing for crates and trays or when S > 900 mm	
Perforation module for perforation below the seal for easy opening	
Access point for remote support	



Vacuum decuffer hooks



Bag stretching with integrated decuffer control



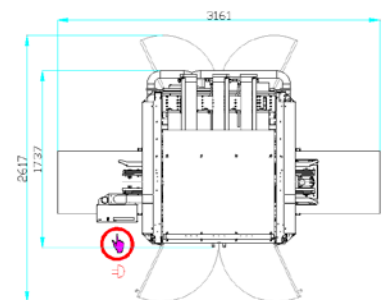
Two double sided impulse heat seals



Vacuumizing & gas flushing



Your product 100% protected



Machine height 2621 mm

Pattyn Packing Lines nv
Industriepark 'Blauwe Toren'
Hoge Hul 2, 8000 Brugge - Belgium

T +32 (0) 50 450 480
info@pattyn.com
www.pattyn.com



The description, pictures and information given have an indicative value. We reserve the right to make changes without notice. Information and content is property of Pattyn. For customised executions please contact Pattyn. DS-21-HE 2019 - V01

PATTYN[®]

Turnkey solutions for industrial packaging.